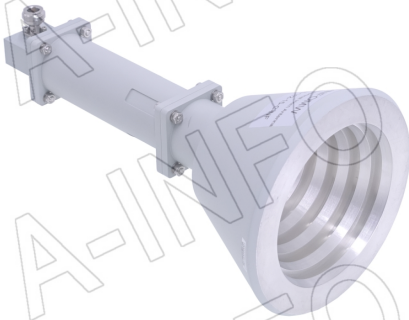


For reference only. See data sheet for the detailed specifications.

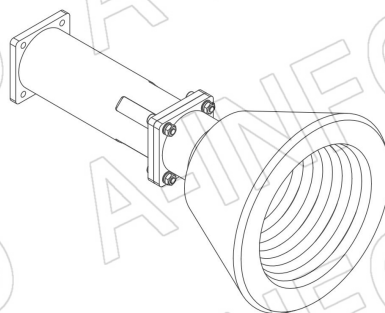
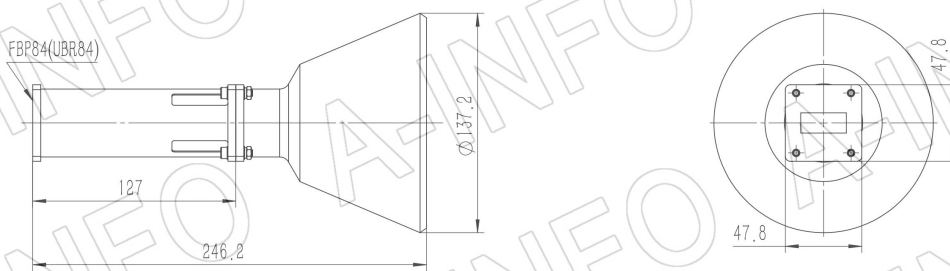
Technical Specification

Frequency Range(GHz)	7.05 – 10.0
Waveguide	WR112
Gain(dBi)	15 Typ.
Polarization	Linear
3dB Beamwidth(deg)	E Plane: 27 Typ.
	H Plane: 27 Typ.
Cross Pol. Isolation(dB)	45 Typ.
VSWR	A Type: 1.25:1 Typ.
	C Type: 1.40:1 Typ.
Output	A Type: FBP84(UBR84)
	N-Female or SMA-Female or TNC-Female or 7mm or 3.5mm-Female
Material	Al
Finish	Chemical Conversion Coating, Gray Paint
Size(mm)	A Type: 137.2 x 137.2 x 246.2
	C Type: 137.2 x 137.2 x 286.2
Net Weight(Kg)	A Type: 1.27 Around
	C Type: 1.37 Around



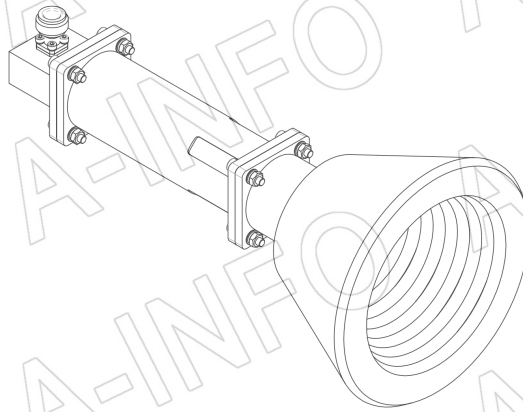
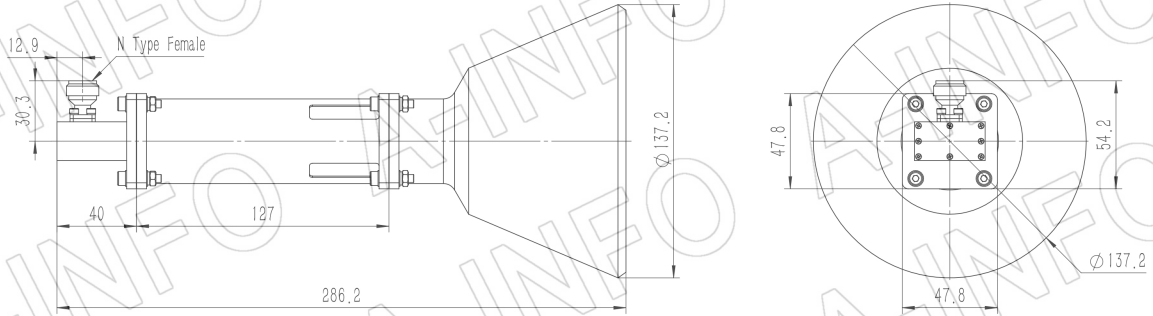
Outline Drawing (Size: mm)

FBP84 Output (P/N: LB-CH-112-15-A)



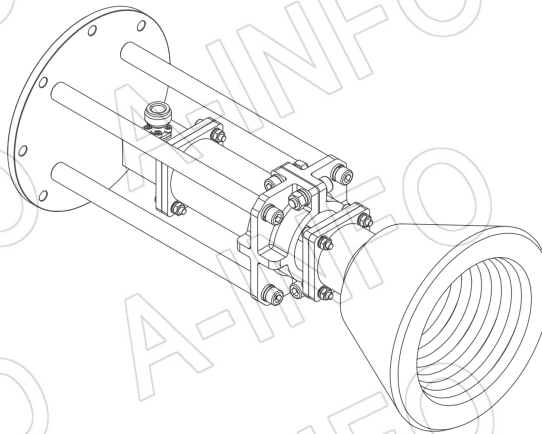
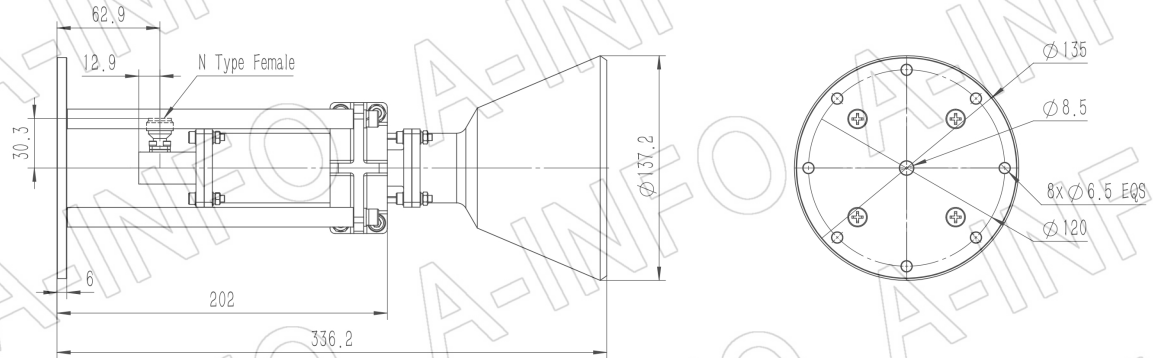
N-Female Output (P/N: LB-CH-112-15-C-NF)

For SMA-Female, TNC- Female, 7mm or 3.5mm-Female output outline drawing, please contact A-INFO.



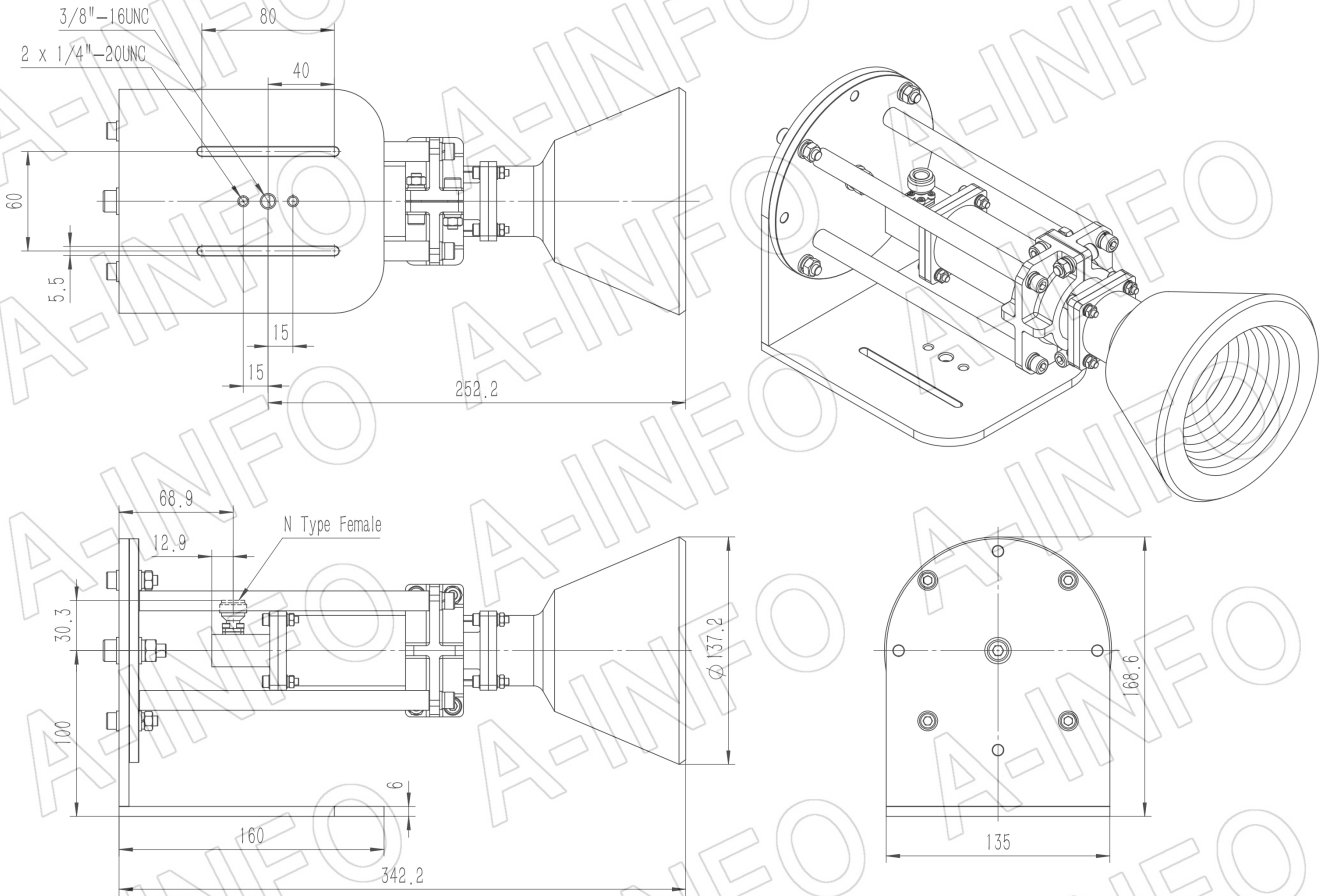
N-Female Output with Round Mounting Bracket (Option, P/N: LB-CNH-112-10-MB)

For SMA-Female, TNC- Female, 7mm or 3.5mm-Female output outline drawing, please contact A-INFO.

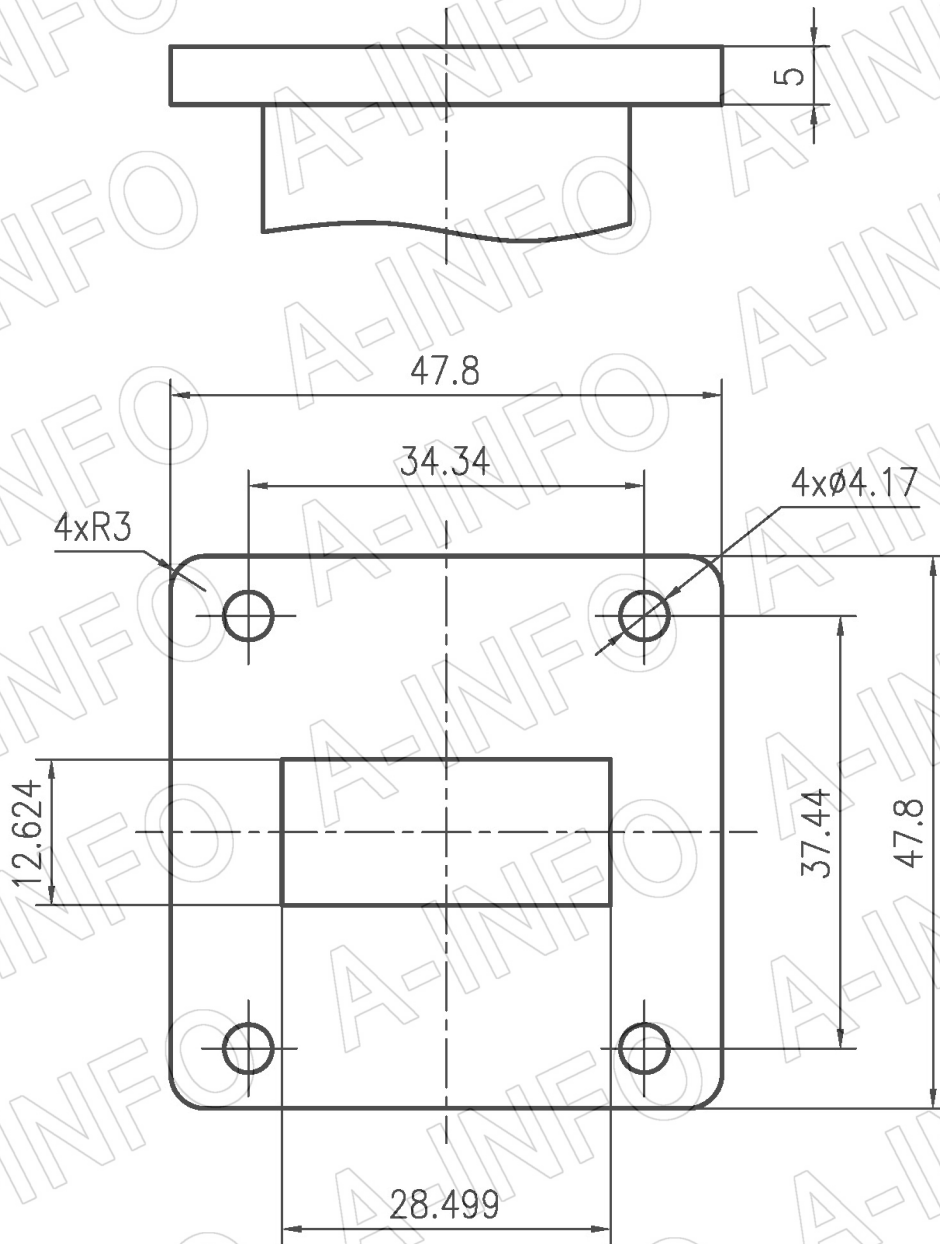


N-Female Output with L Type Mounting Bracket (Option, P/N:LB-CN-112-10-MBL)

For SMA-Female, TNC- Female, 7mm or 3.5mm-Female output outline drawing, please contact A-INFO.



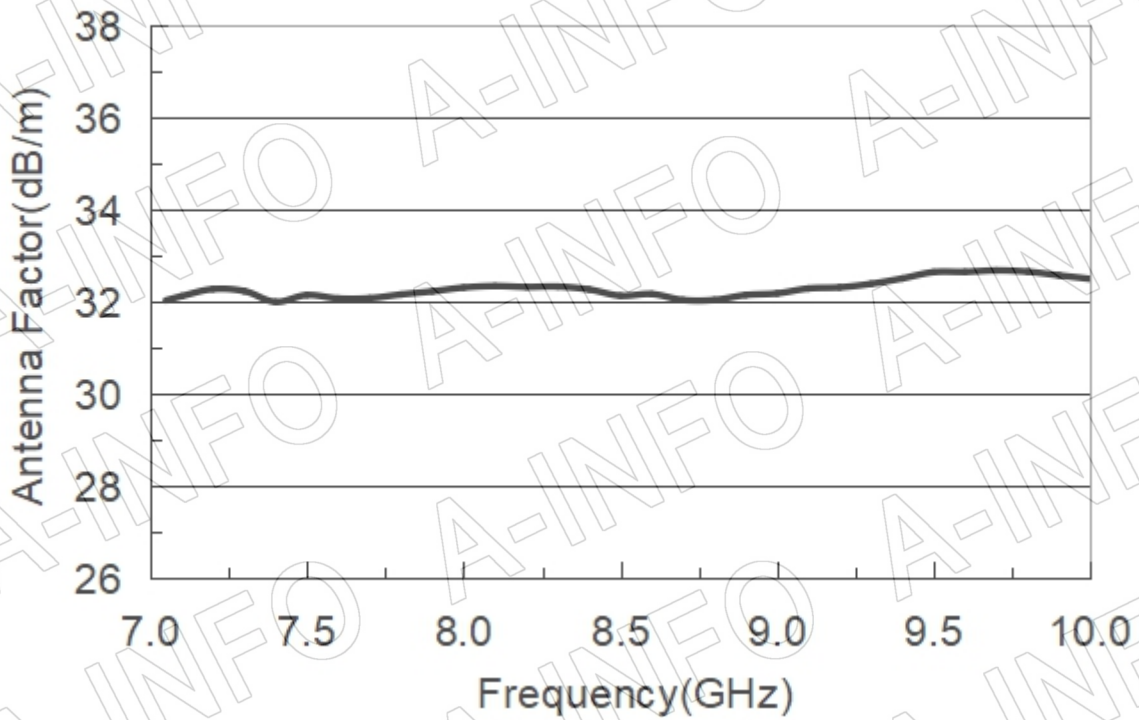
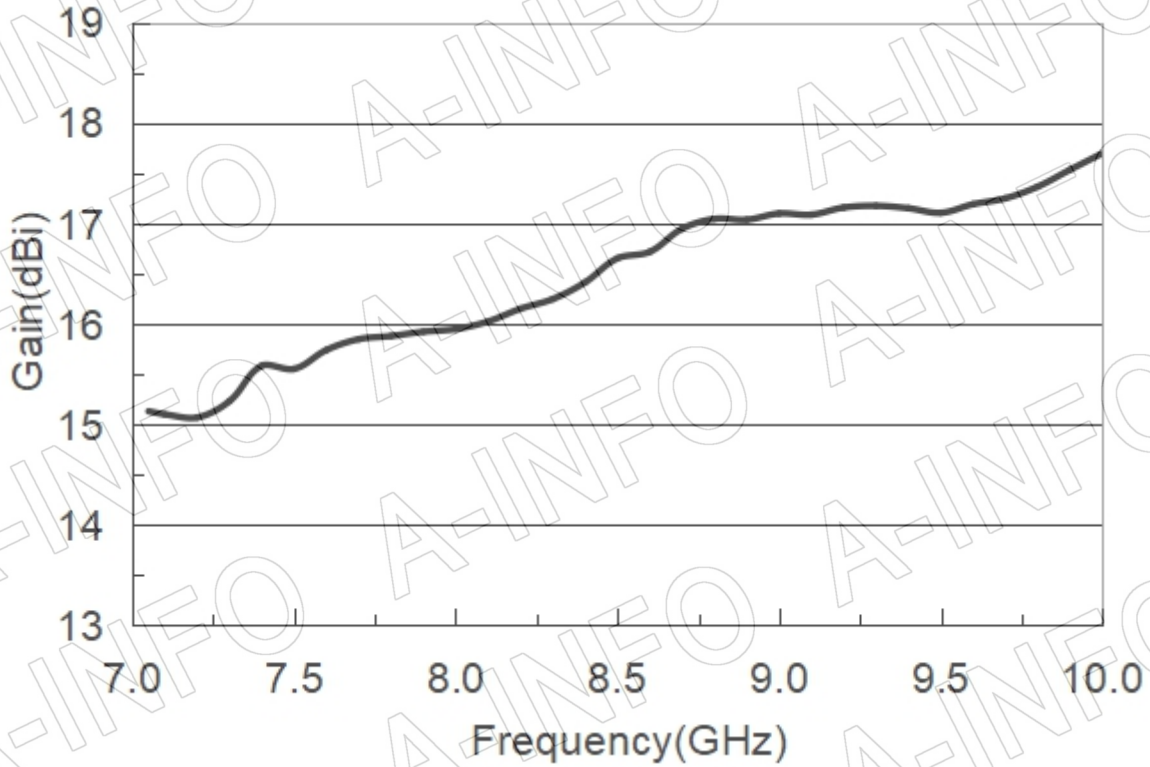
Flange Drawing (Size: mm)



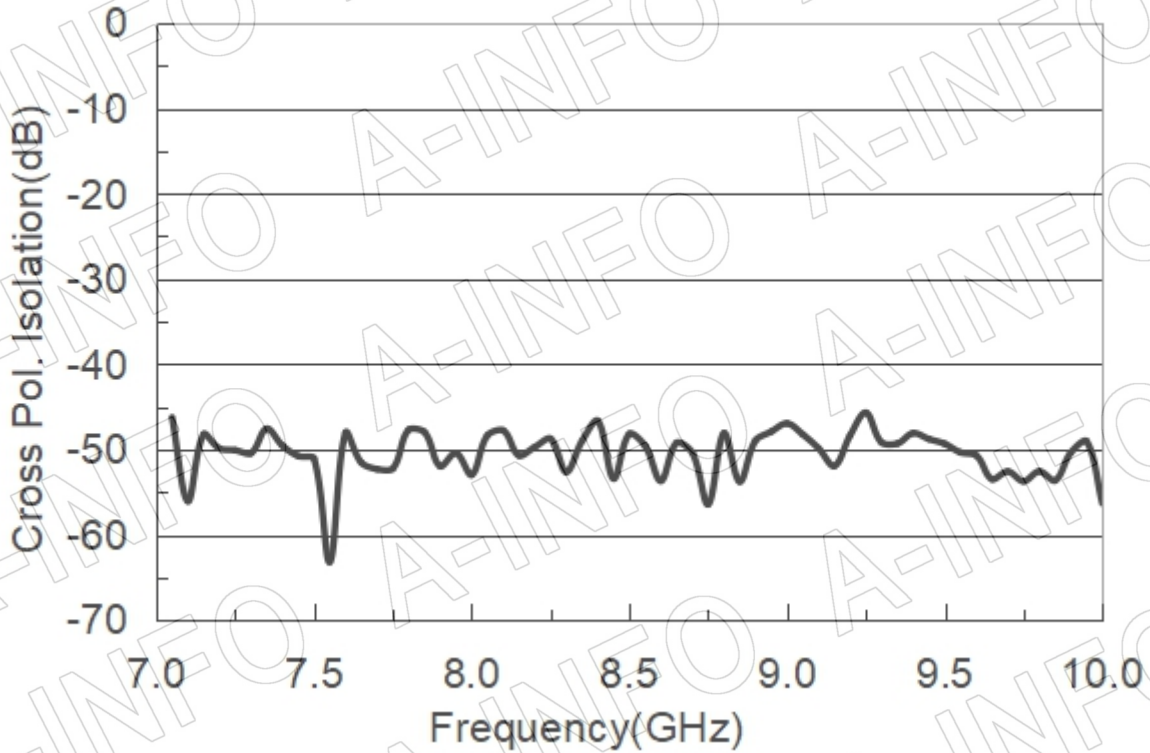
FBP84

Test Results

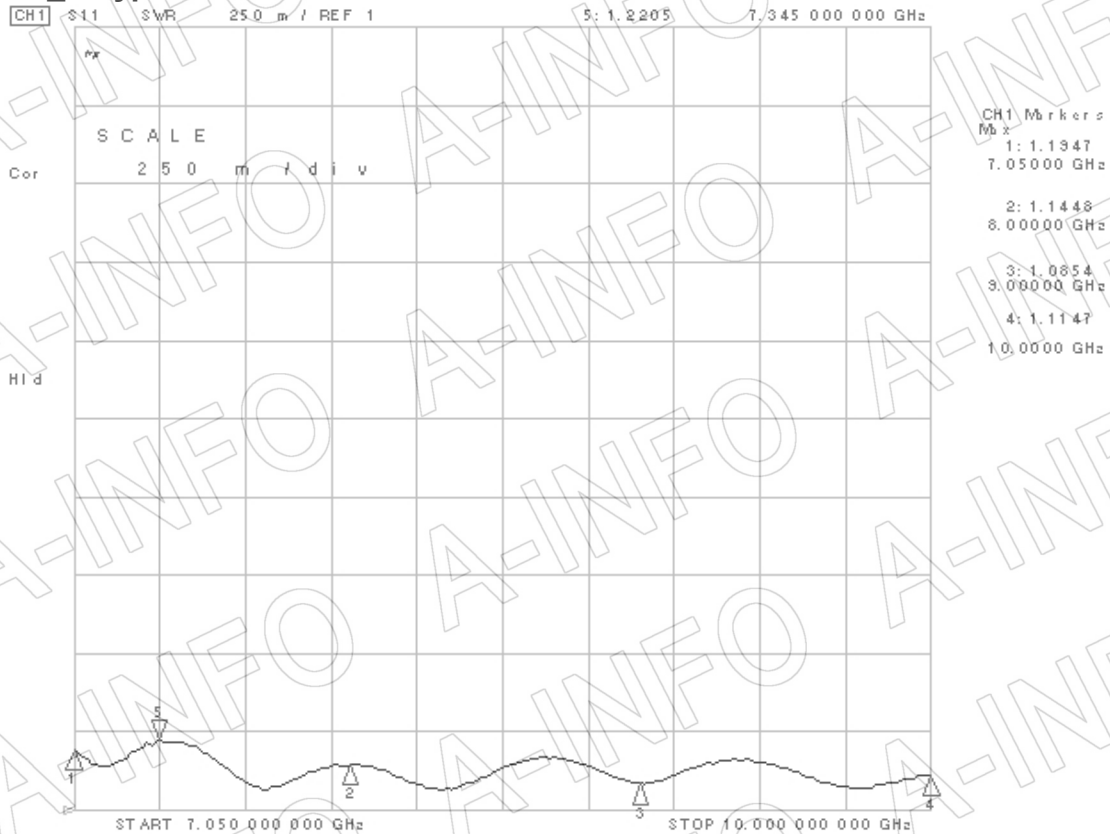
1. Gain & Antenna Factor



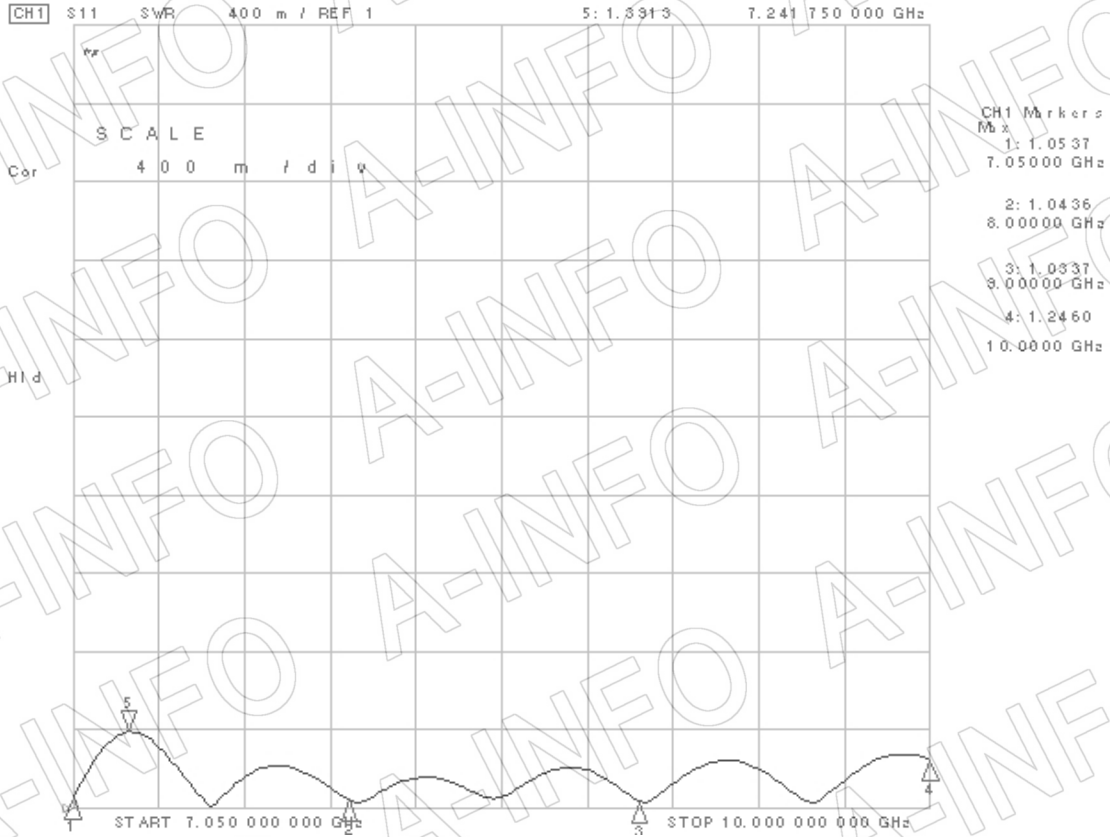
2. Cross Polarization Isolation



3. VSWR_A Type



VSWR_C Type



4. Pattern

